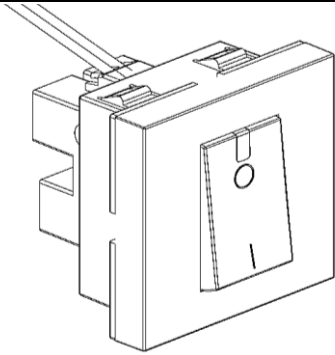


Allzy™

Ref . No. : 681116

32A DP SWITCH 1 WAY DP 2M IND WHITE

Date : 21/10/2022 Rev.1

**1. USE**

General lighting control mechanism .

2.Type

One Way Switch with Indicator (Square) Double Pole

No. of modules : 2

Colour : White

Mounting : Flush and Surface - mounted

3.OVERALL DIMENSIONS

Width : 45 mm

Height :45 mm

Depth :43 mm

Weight (g) : 42.4

4.CONNECTION

Terminal : with screws

Capacity : 2.5mm² to 6mm²

Stripping : 10 mm

Screwdriver : 4mm flat-blade up to 5 mm

5.OPERATION

Switch with rocker

6.TECHNICAL CHARACTERISTICS**6.1 Material Characteristics**

Rocker : Polycarbonate

Front Cover : Polycarbonate

Base : Polycarbonate

Lens : Polycarbonate Red

Intermediate Base : Polycarbonate

Contact Terminal : Brass

Pivot Terminal : Brass

Screws : Steel with Zinc plating

Rocker spring : Stainless steel

Transmitter : PA66+20%SI+PTFE

Contact Tip : Bi-metal (Cu+AgNi)

Moving Contact : Copper with Bi-metal tip

LED indicator : Electronic

6.2 Electricals Characteristics

Voltage :230V AC

Current : 32A

Self - extinguishing : 850° C / 30 s.

7.CONFORMITY - APPROVALS

As per Indian Standard IS 3854:1997